



REPLACEMENT SHEET

1/2

FIG. 1

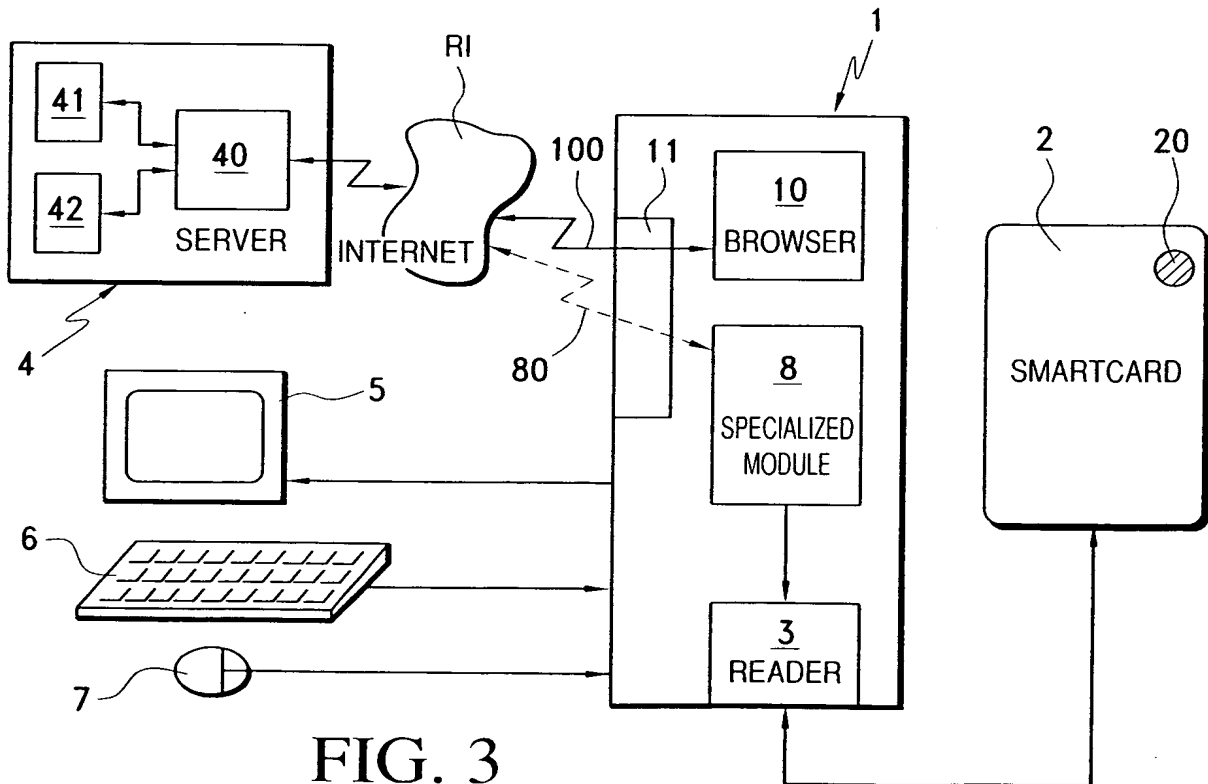
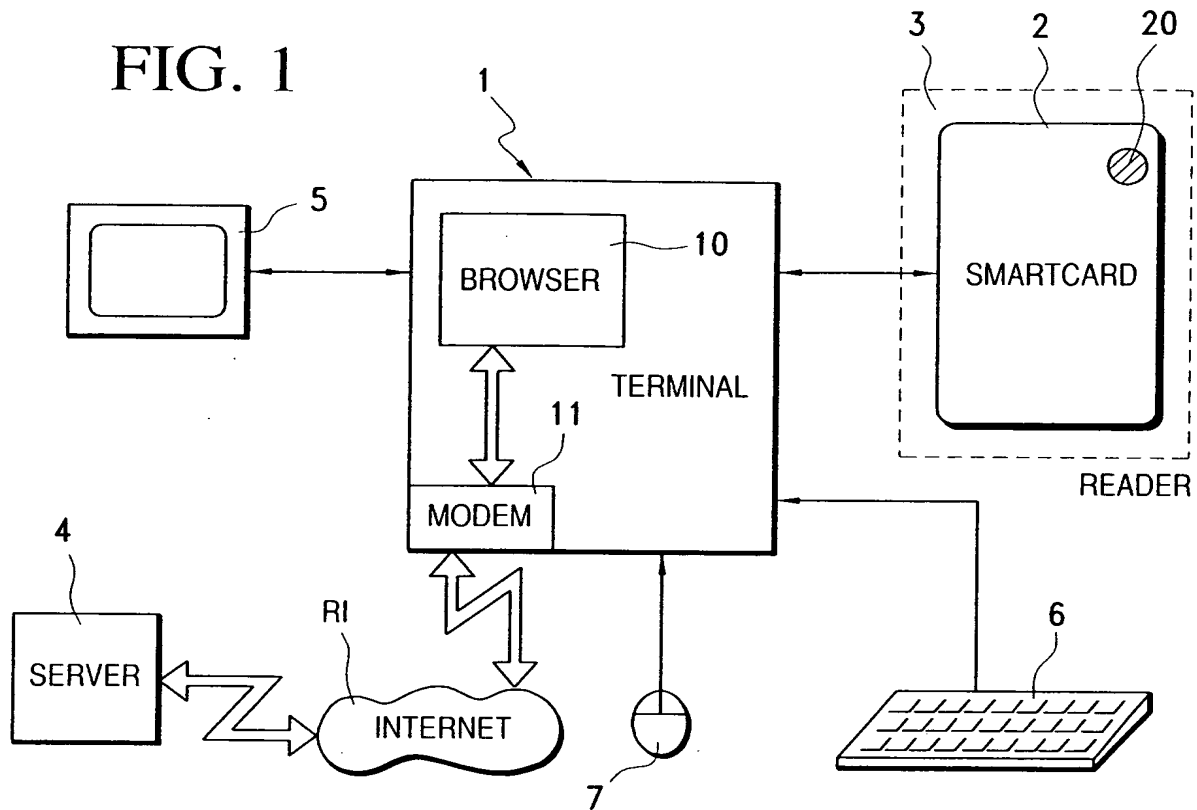


FIG. 3

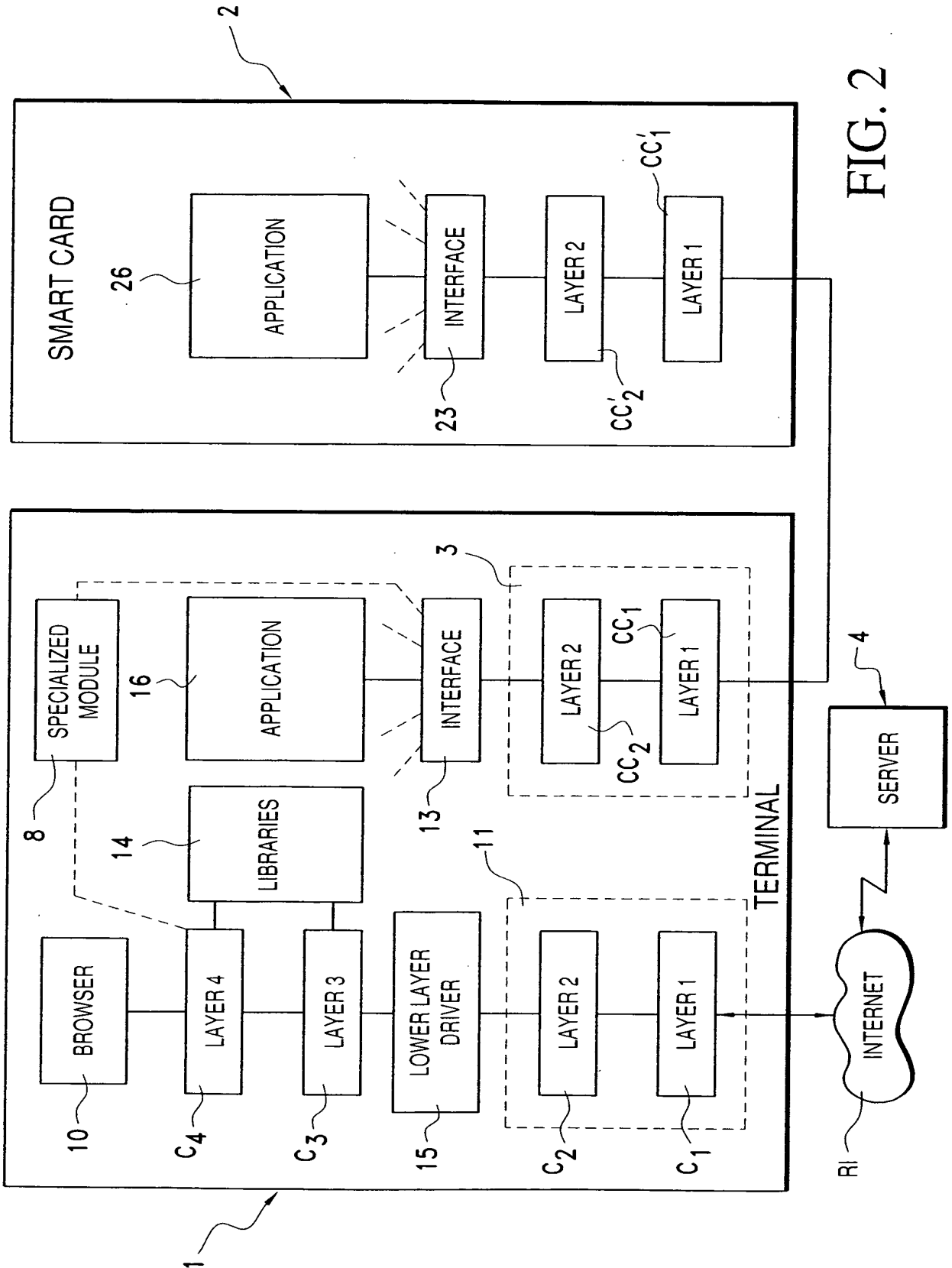


FIG. 2